

Quick Installation Guide

ASW125K-LT



Android



iOS

1 GENERAL INFORMATION

This quick installation guide does not replace the description in the user manual. The contents of this guide may be updated or revised due to product development. The information in this guide is subject to change without notice. The latest version of this document and the manual for installation, commissioning, configuration and decommissioning are to be found in PDF format at www.solplanet.net.

2 SAFETY

2.1 Intended use

The product is a transformerless PV inverter which converts the direct current of the PV generator into grid-compatible three-phase alternating current and then feeds the three-phase alternating current into the public power grid.

The product is intended for indoor and outdoor applications.

The product must only be connected with PV modules of protection class II (in accordance with IEC 61730, application class A). Do not connect any sources of energy other than PV modules to the product.

The product is not equipped with an integrated transformer and therefore has no galvanic isolation. The product must not be operated with PV modules which require functional grounding of either the positive or negative PV conductors. This can cause the product to be irreparably damaged. The product may be operated with PV modules with frames that require protective earthing.

All components must remain within their permitted operating ranges and their installation requirements at all times.

Use the product only in accordance with the information provided in the user manual and with the locally applicable standards and directives. Any other application may cause personal injury or damage to property.

The product must only be used in countries for which it is approved by Solplanet and the grid operator.

The type label must be permanently attached to the product and must be in a legible condition. This document does not replace any regional, state, provincial, federal or national laws, regulations or standards that apply to the installation, electrical safety and use of the product.

2.2 Important safety instructions

The product has been designed and tested strictly according to the international safety requirements. As with all electrical or electronical devices, there are residual risks despite careful construction. To prevent personal injury and property damage and to ensure long-term operation of the product, read this section carefully and observe all safety information at all times.

DANGER

Danger to life due to high voltages of the PV array!

When exposed to sunlight, the PV array generates dangerous DC voltage which is present in the DC conductors and the live components of the product. Touching the DC conductors or the live components can cause to lethal electric shocks. If you disconnect the DC connectors from the product under load, an electric arc may occur leading to electric shock and burns.

- Do not touch non-insulated cable ends.
- Do not touch the DC conductors.
- Do not touch any live components of the product.
- Do not open the product.
- All work on the product must only be carried out by qualified personnel who have read and fully understood all safety information contained in this document and the user manual.
- Disconnect the product from voltage and energy sources and ensure it cannot be reconnected before working on the product.
- Wear suitable personal protective equipment for all work on the product.

DANGER

Danger to life due to electric shock when touching live system components in case of a ground fault!

If a ground fault occurs, parts of the system may still be live. Touching live parts and cables may result in death or lethal injuries due to electric shock.

- Disconnect the product from voltage and energy sources and ensure it cannot be reconnected before working on the device.
- Only touch the insulation of the cables of the PV modules.
- Do not touch any parts of the substructure or frame of the PV array.
- Do not connect PV strings with ground faults to the product.

WARNING

Danger to life due to electric shock from destruction of the measuring device due to overvoltage!

Overvoltage can damage a measuring device and result in voltage being present in the enclosure of the measuring device. Touching the live enclosure of the measuring device results in death or lethal injuries due to electric shock.

- Only use measuring devices with the measurement span higher than the DC input voltage range equal to or higher than the voltage rating of the product.

CAUTION

Risk of burns due to high temperature.

Some parts of the enclosure can become hot during operation.

- During operation, do not touch any parts other than the enclosure lid of the product.

CAUTION

Risk of injury due to weight of product.

Injuries may result if the product is lifted incorrectly or dropped while being transported or mounted.

- Transport and lift the product carefully. Take the weight of the product into account.
- Wear suitable personal protective equipment for all work on the product.

2.3 Symbols on the label



Beware of a danger zone

This symbol indicates that the inverter must be additionally grounded if additional grounding or equipotential bonding is required at the installation site.



Beware of high voltage and operating current

The inverter operates at high voltage and current. Work on the inverter must only be carried out by skilled and authorized electricians.



Beware of hot surfaces

The inverter may become hot during operation. Avoid contact during operation.



WEEE designation

Do not dispose of the product together with the household waste but in accordance with the disposal regulations for electronic waste applicable at the installation site.



CE marking

The product complies with the requirements of the applicable EU directives.



Certification mark

The product has been tested by TUV and got the quality certification mark.



RCM Mark

The product complies with the requirements of the applicable Australian standards.



Capacitor discharge

Danger to life due to high voltages in the inverter. Do not touch live parts for 25 minutes after disconnection from the power sources.



Observe the documentation

Observe all documentation supplied with the product.

3 Eu Declaration Of Conformity

Within the scope of the EU directives

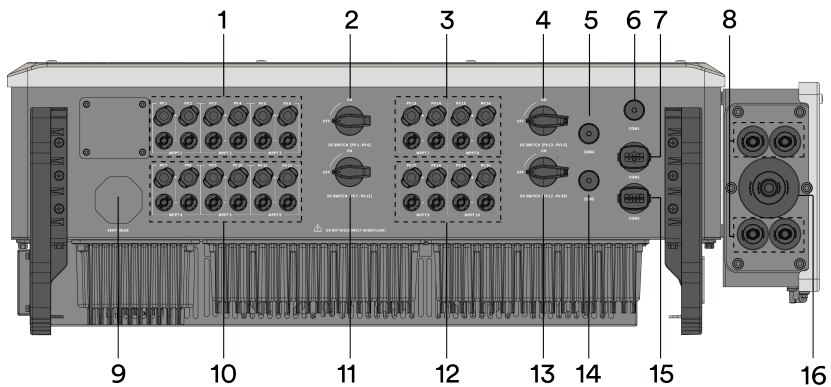
- Radio Equipment Directive 2014/53/EU (L 153/62-106. May 22. 2014) (RED)
- Restriction of the use of certain hazardous substances 2011/65/EU (L 174/88, June 8, 2011) and 2015/863/EU (L 137/10, March 31,2015) (RoHS)



AISWEI Technology Co., Ltd. confirms here with that the products described in this document are in compliance with the fundamental requirements and other relevant provisions of the above mentioned directives.

The entire EU Declaration of Conformity can be found at www.solplanet.net.

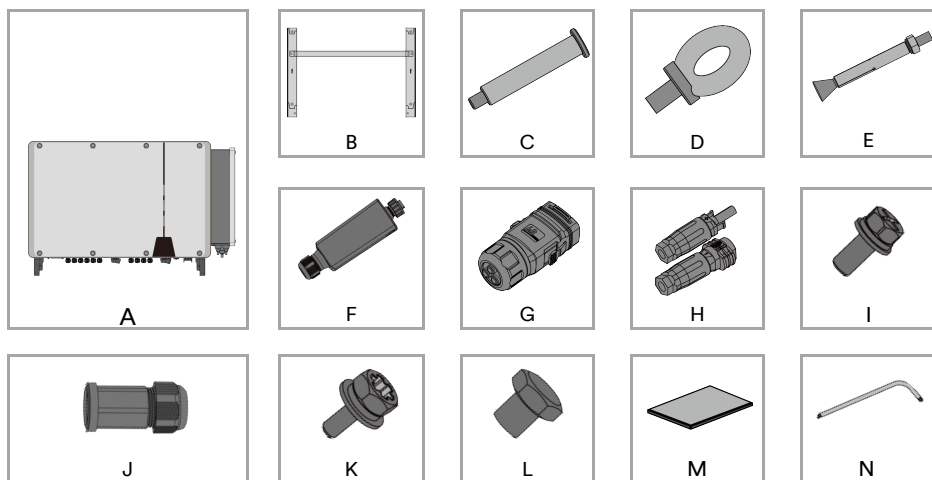
4 Overview



No.	Name
1	DC connector inputs 1-6 (connected to DC switch 1)
2	DC switch 1
3	DC connector inputs 13-16 (connected to DC switch 3)
4	DC switch 3
5	COM4: Connection of Ripple control receiver/Connection of Demand response modes/ NS protection device
6	COM1: Communication device port (Ai-Dongle)

7	COM2: RS485 Communication port
8	AC cable - knockout seal (Single core conductor)
9	Vent valve
10	DC connector inputs 7-12 (Connected to DC switch 2)
11	DC switch 2
12	DC connector inputs 17-20 (Connected to DC switch 4)
13	DC switch 4
14	COM5: Connection of Ripple control receiver/Connection of Demand response modes/ NS protection device
15	COM3: RS485 Communication port
16	AC cable - knockout seal (Multicore conductor)

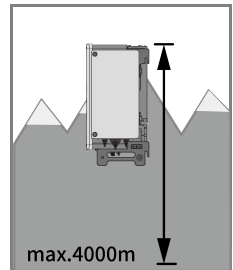
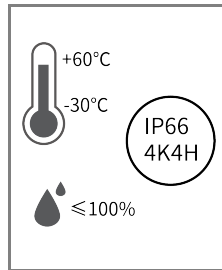
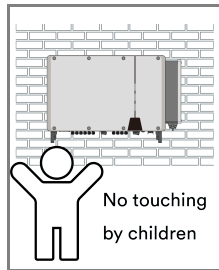
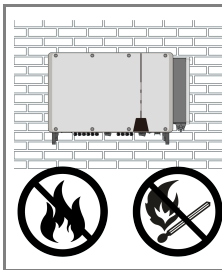
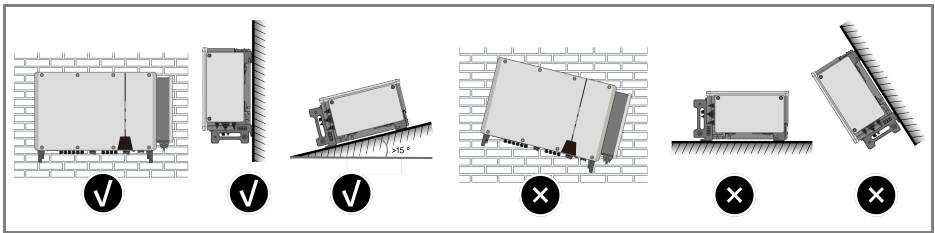
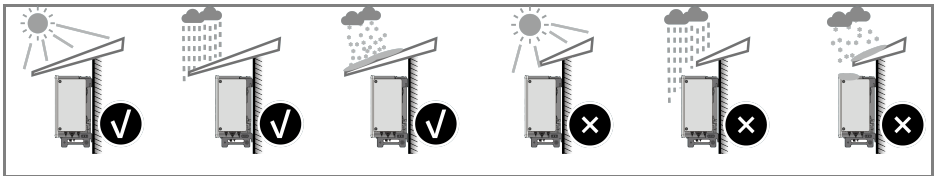
5 Scope of Delivery

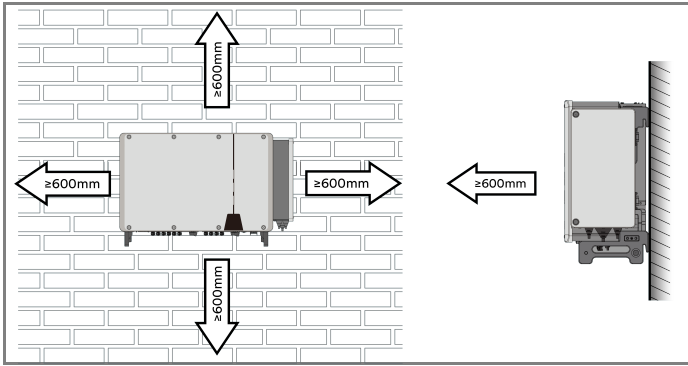


NO.	Name	Quantity
A	Inverter	1
B	Mounting bracket	1
C	Handle (Optional)	4
D	Lifting ring (Optional)	2
E	Expansion bolt	4
F	Communication device (Ai-Dongle)	1
G	RS 485 COM plug	2

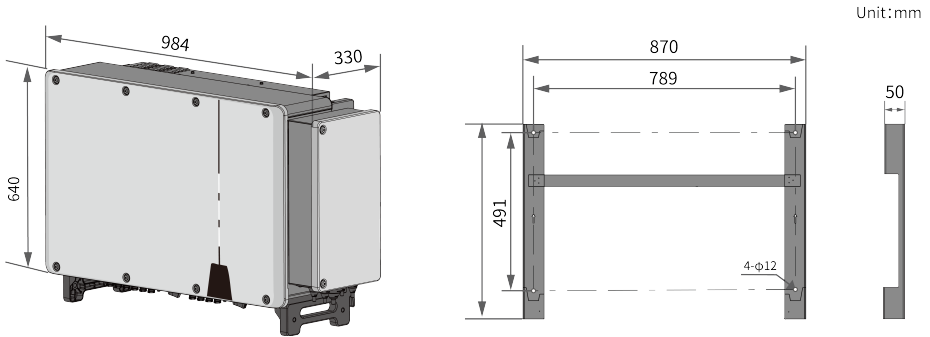
H	DC connector (pair)	20
I	M5x12 Screws	2
J	RJ45 Connection waterproof housing	2
K	M4x9 Screws	6
L	M10x20 Bolt	2
M	Document package	1
N	T30 plum blossom wrench	1

6 Mounting Environment



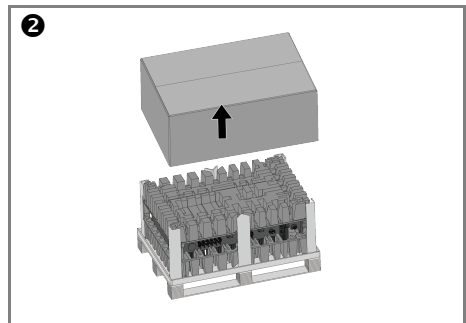
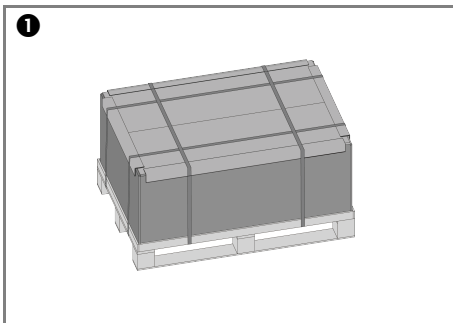


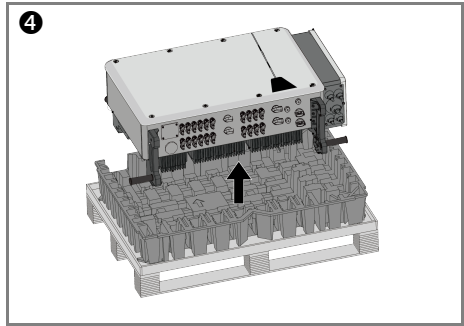
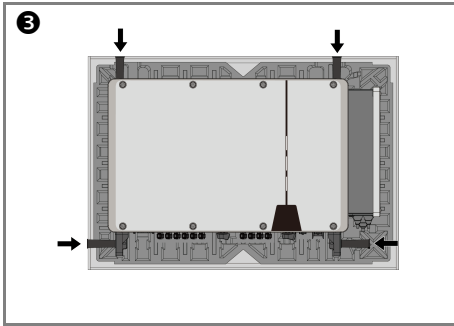
7 DIMENSIONS



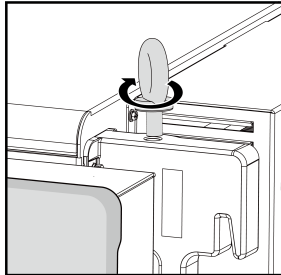
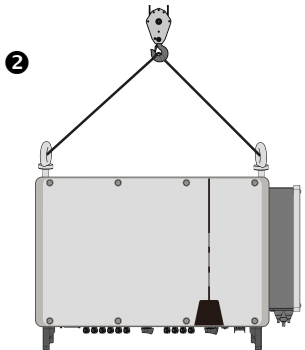
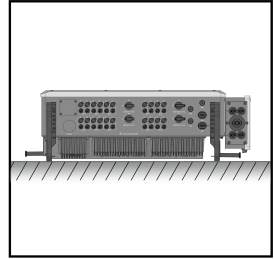
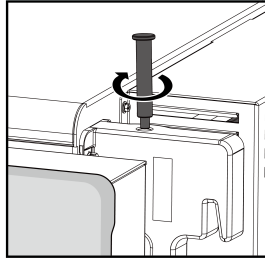
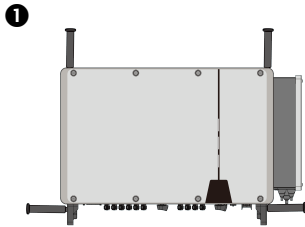
8 Mounting

8.1 Take out the inverter

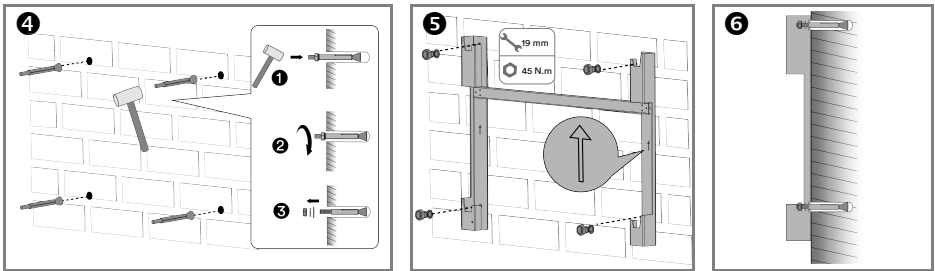
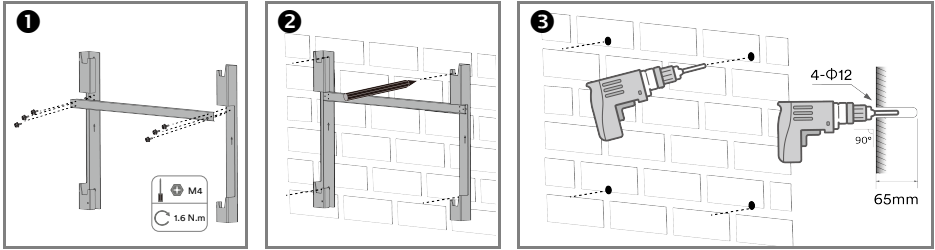




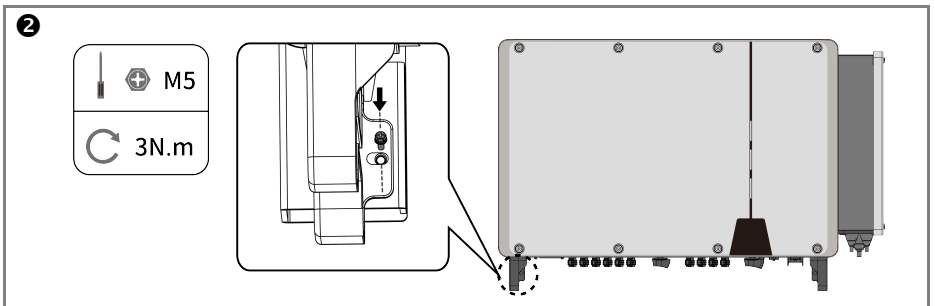
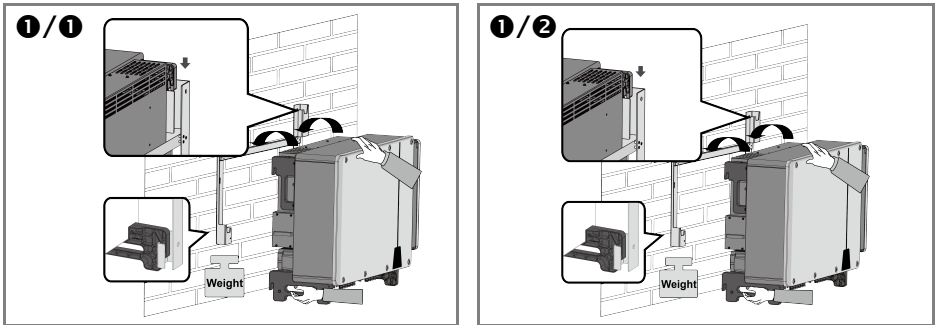
8.2 Moving the inverter (Optional)

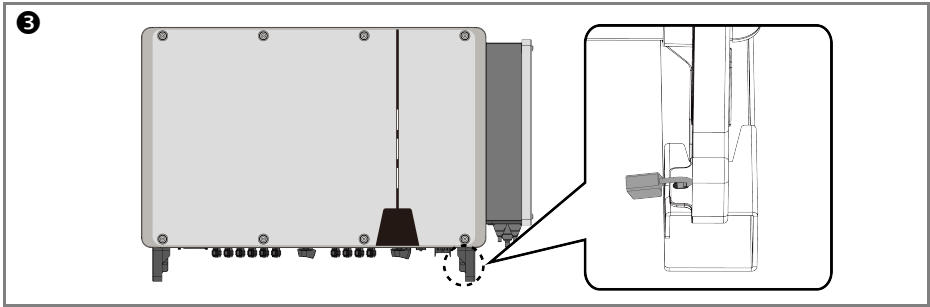


8.3 Mounting-bracket

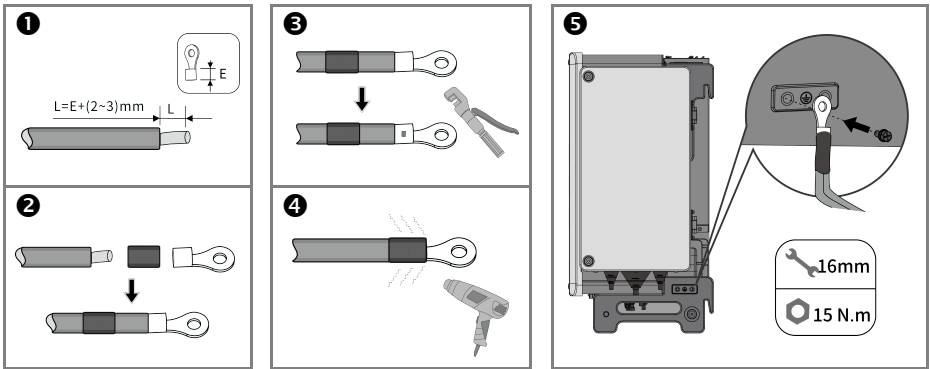


8.4 Wall-Mounted Installation

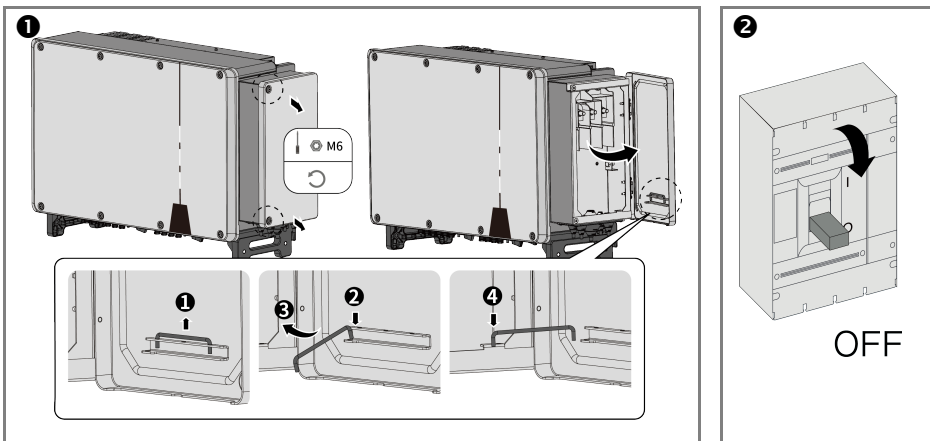


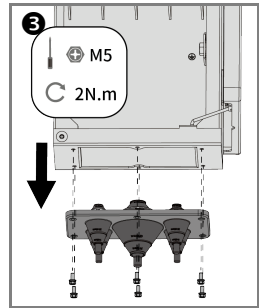
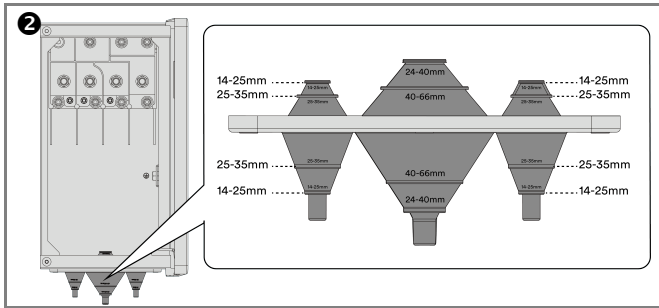


9 Second Protective Grounding

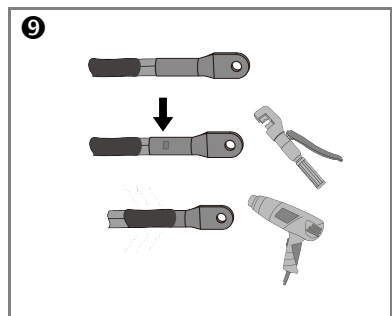
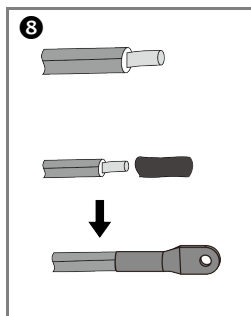
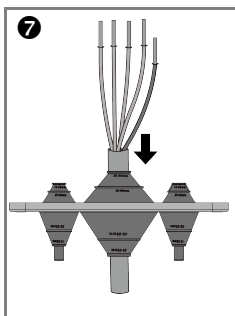
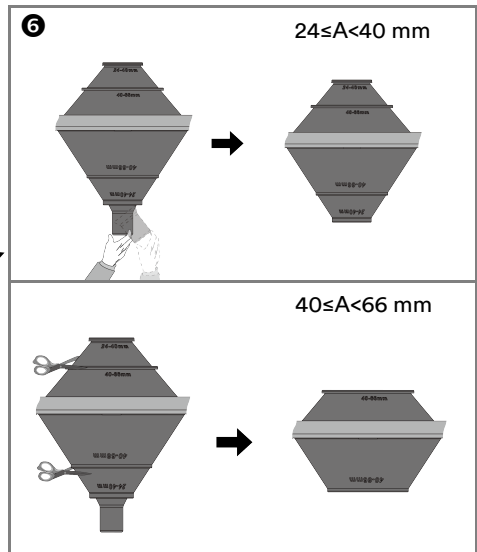
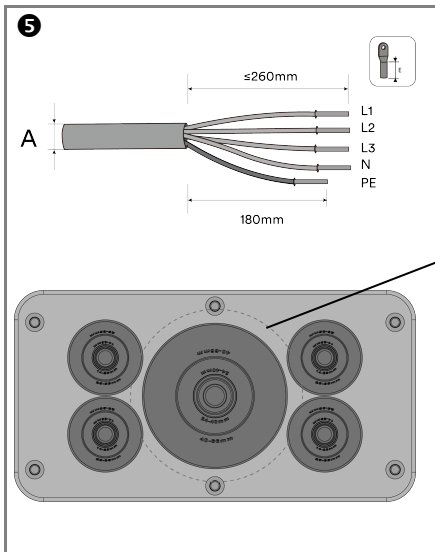


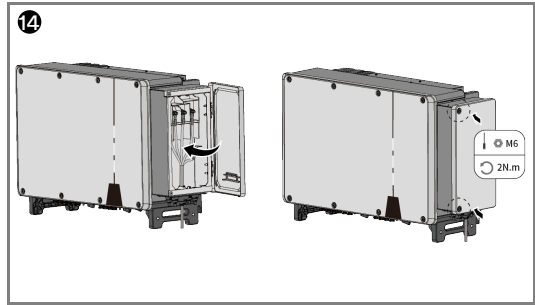
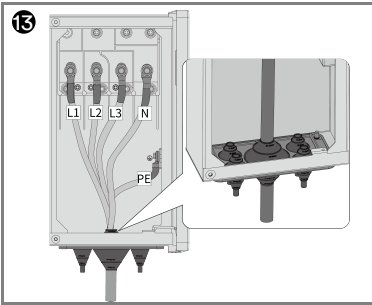
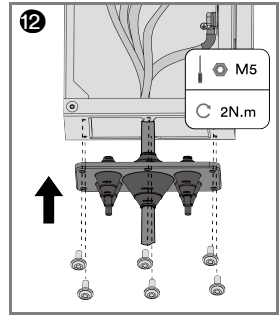
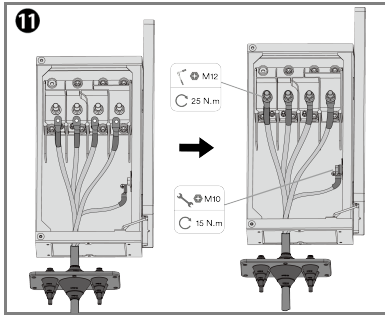
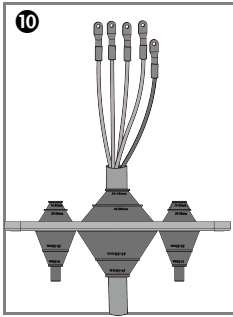
10 AC Connection



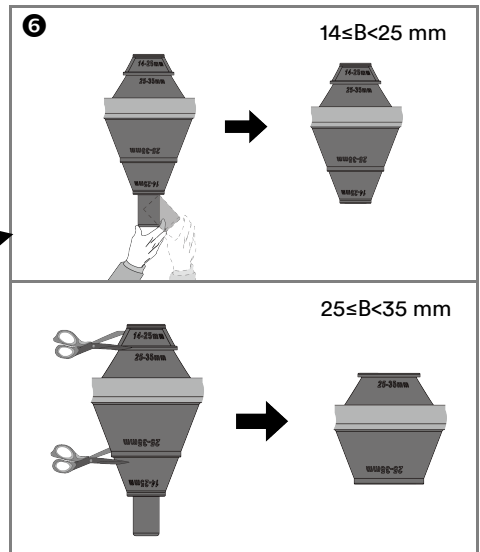
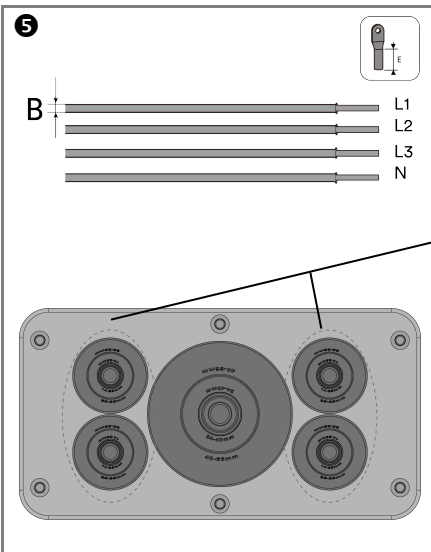


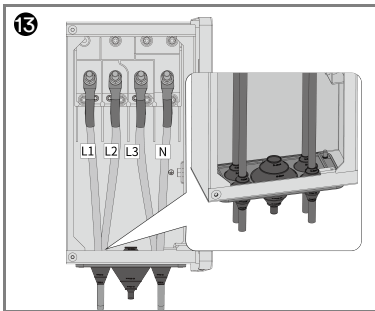
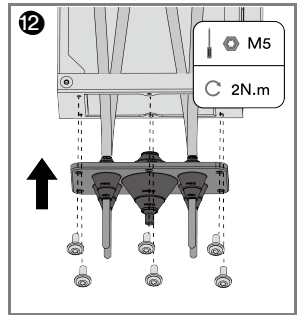
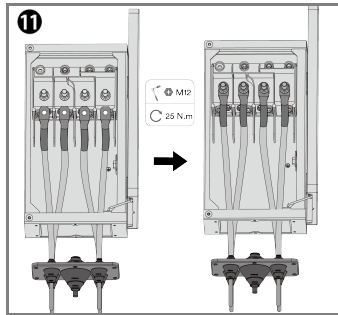
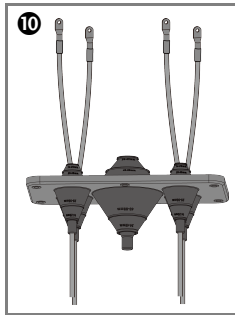
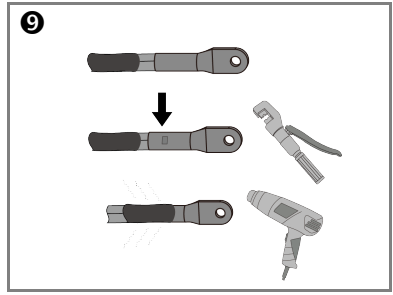
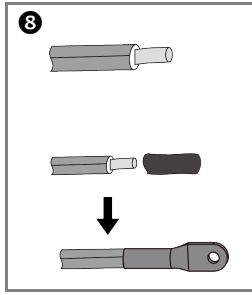
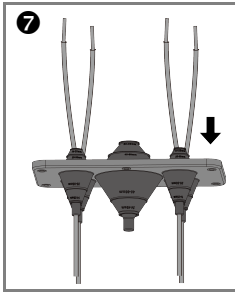
Multicore conductor



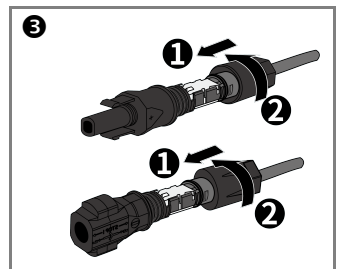
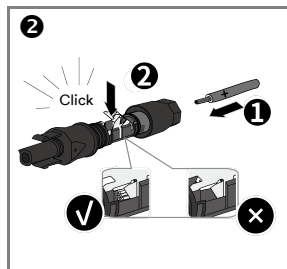
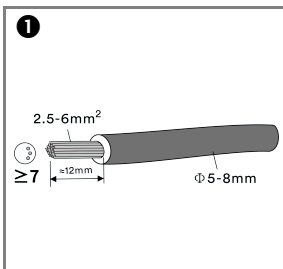


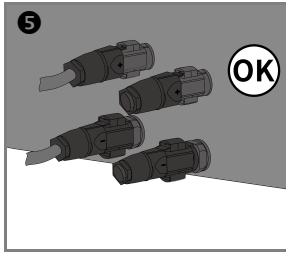
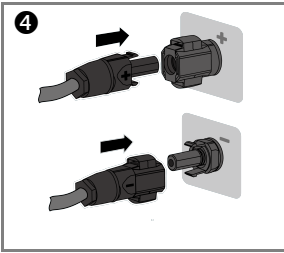
Single core conductor





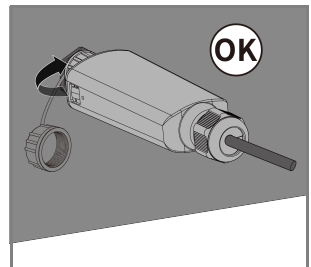
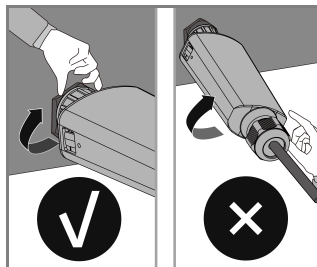
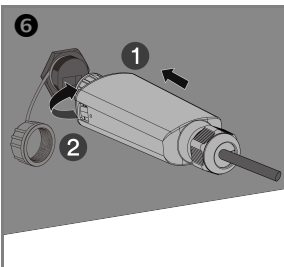
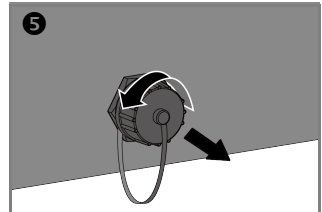
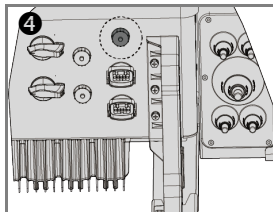
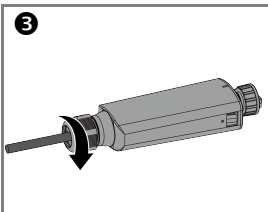
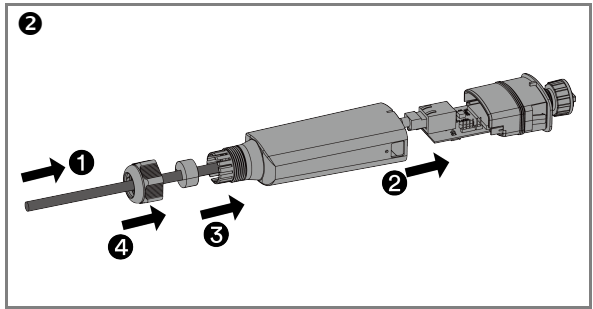
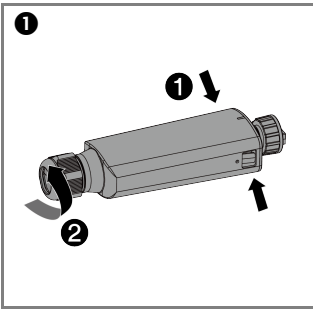
11 DC Connection



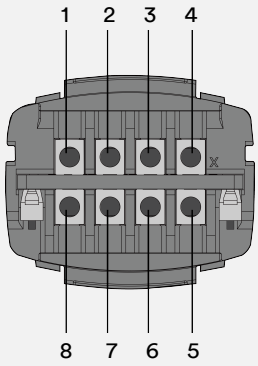


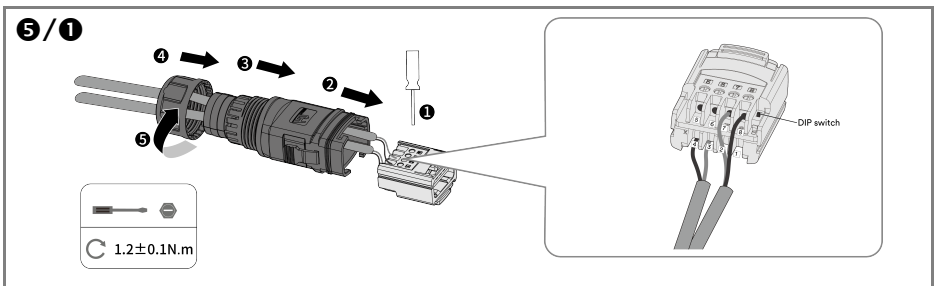
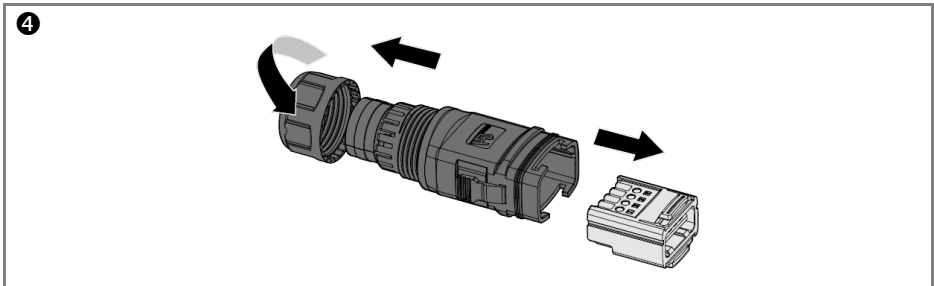
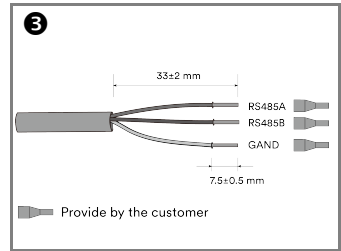
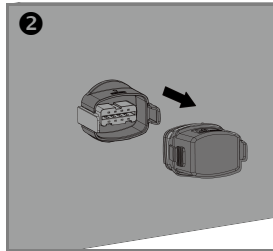
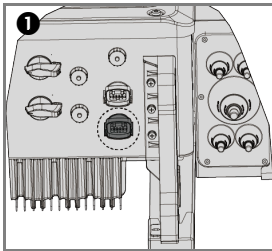
12 Communication Connection

12.1 COM1: Ai-Dongle connection

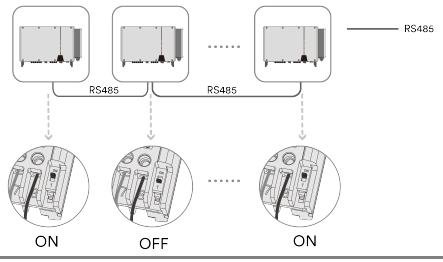
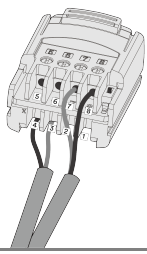


12.2 COM2&COM3: RS485 cable connection

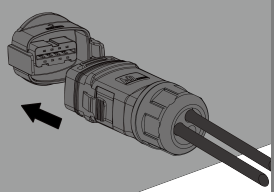
	PORT	PIN	DEFINE	DESCRIPTION
	COM2	1/5	+8VA_SELV	Used for connection to 3rd party, such as State Grid Dispatch (SGD)
		2/6	GND_SELV	
		3/7	RS485A	
		4/8	RS485B	
	COM3	1/5	+8VA_SELV	Used for cascading inverters or connecting to devices such as the Data Logger, smart meter
		2/6	GND_SELV	
		3/7	RS485A	
		4/8	RS485B	



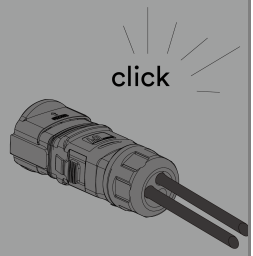
5/2



6

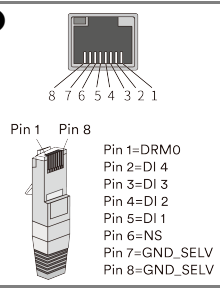


7

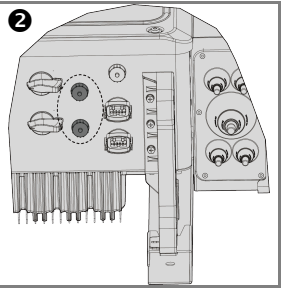


12.3 COM4&COM5: NS protection device/Connection of Ripple control receiver /Demand response modes

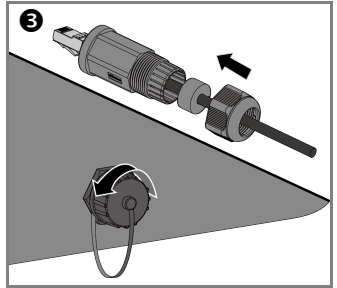
1



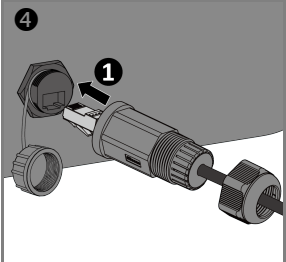
2



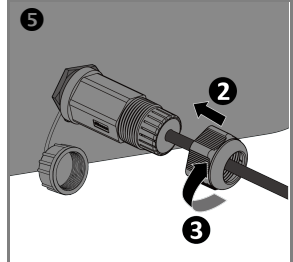
3



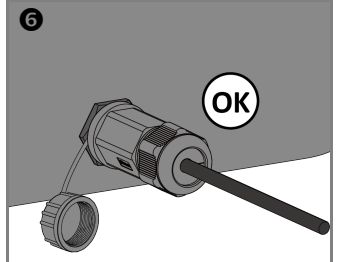
4



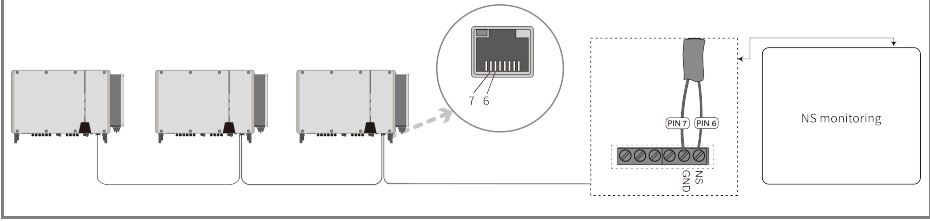
5



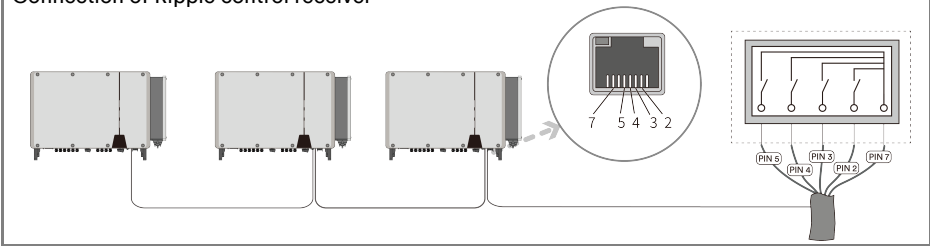
6



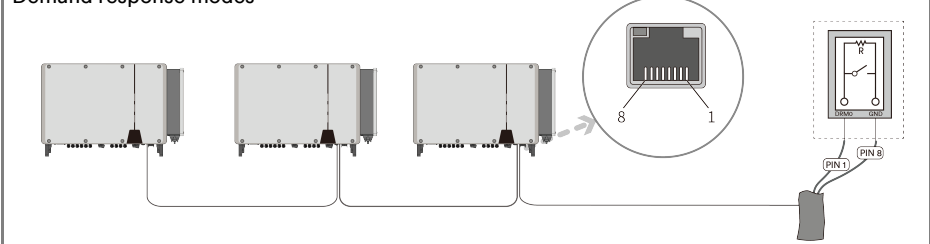
NS protection device



Connection of Ripple control receiver



Demand response modes



13 Contact

Please contact our Service Department if you have any technical questions about our products.

The following information is needed to provide necessary assistance:

- Inverter model
- Inverter serial number
- Photovoltaic module model
- Photovoltaic modules number and strings number connected to each MPPT
- Fault code
- Installation location
- Warranty card

EMEA

Service email: service.EMEA@solplanet.net

APAC

Service email: service.APAC@solplanet.net

LATAM

Service email: service.LATAM@solplanet.net

Aiswei Greater China

Service email: service.china@aiswei-tech.com

Hotline: +86 400 801 9996

Taiwan

Service email: service.taiwan@aiswei-tech.com

Hotline: +886 809089212

<https://solplanet.net/contact-us>

Scan QR code:



Android

Scan QR code:



iOS



AISWEI Technology Co., Ltd.
Web: www.solplanet.net
Add.: No. 18, Alley 600, Nanchezhan Road, Huangpu District,
Shanghai, China



PN: 540-300812-00