

# Quick Installation Guide

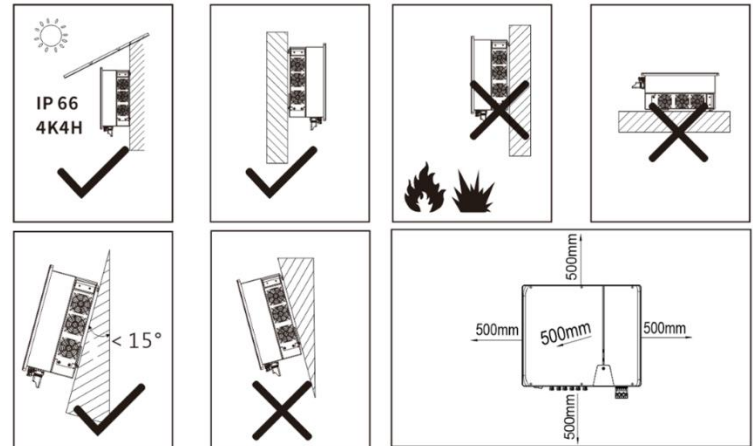
ASW25K-LT-G3/ASW27K-LT-G3/ASW30K-LT-G3/  
ASW33K-LT-G3/ASW36K-LT-G3/ASW40K-LT-G3/



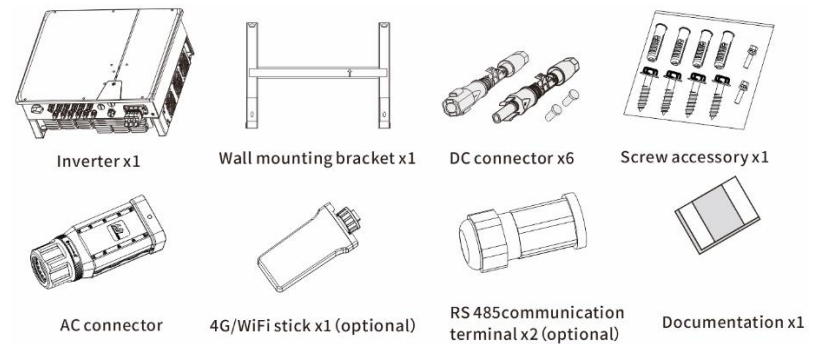
## 1. Safety Tips

- Contents in this document are updated at irregular intervals due to product version upgrade or other reasons. Unless otherwise agreed, this document can be used as a guide only, and all statements, information, and suggestions in this document do not constitute any warranty in express or implication.
- Installation, trial run, operation, and maintenance of this product should be carried out by professional personnel after reading and fully understanding the detailed user manual.
- This product should be connected to photovoltaic modules with level II protection class (conforming to Application Class A in Standard GB/T 20047-1) only.  
This product should be connected to photovoltaic modules with parasitic capacitance less than 5 $\mu$ F to earth only.  
It is prohibited to connect any power source other than the photovoltaic module to this product.
- Dangerous DC voltage will be caused to the DC wires and electric devices of the product by the exposure of photovoltaic module under sunlight, and the touch of these DC wires or electric devices can cause fatal electric shock.
- All components of the product should be ensured that always to be operated within the permitted operating range.
- The product complies with EU standards Electromagnetic Compatibility Directive 2014/30/EU, Low Voltage Directive 2014/35/EU and RED directive 2014/53/EU.

## 2. Installation Environment

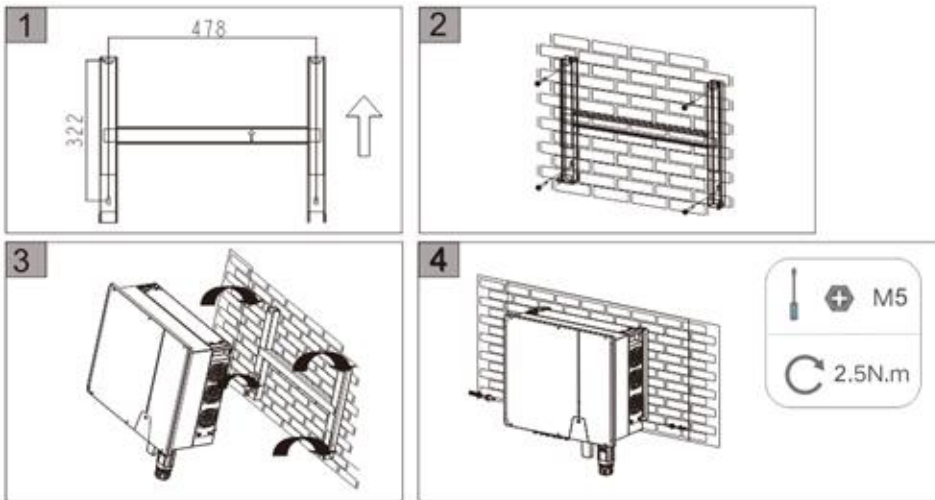


## 3. Delivery List



## 4. Inverter Installation

4 holes with 70 mm hole depth should be drilled by  $\phi$ 10mm drill according to the position of holes on the wall hanging backplane.

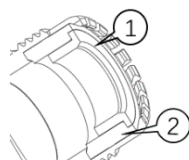
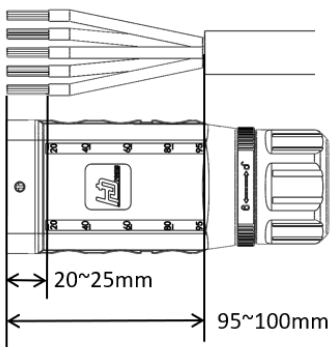


## 5. AC Output Line Installation



- Electrical connection should comply with national/regional installation regulations.
- It is required to ensure that all DC switches and AC circuit breakers are disconnected before establishing an electrical connection, or the high voltage in the inverter may lead to electric shock hazard.
- The inverter should be reliably grounded (PE) as required in order to connect the inverter to the grid for working according to the requirements of safety regulations.
- The inverter will report a PE grounding error when the grounding (PE) is poor or the live wire grounding (PE) of the power grid occurs. In this case, the inverter should be checked to ensure that it is reliably grounded or contact with the Service Department of Solplanet.

- YJV copper line or YJVR copper line are recommended for using.
- For the use of aluminum wire, please contact with the Service Department of Solplanet.
- The digital scale of the connector housing can be used as the wire stripping length reference.

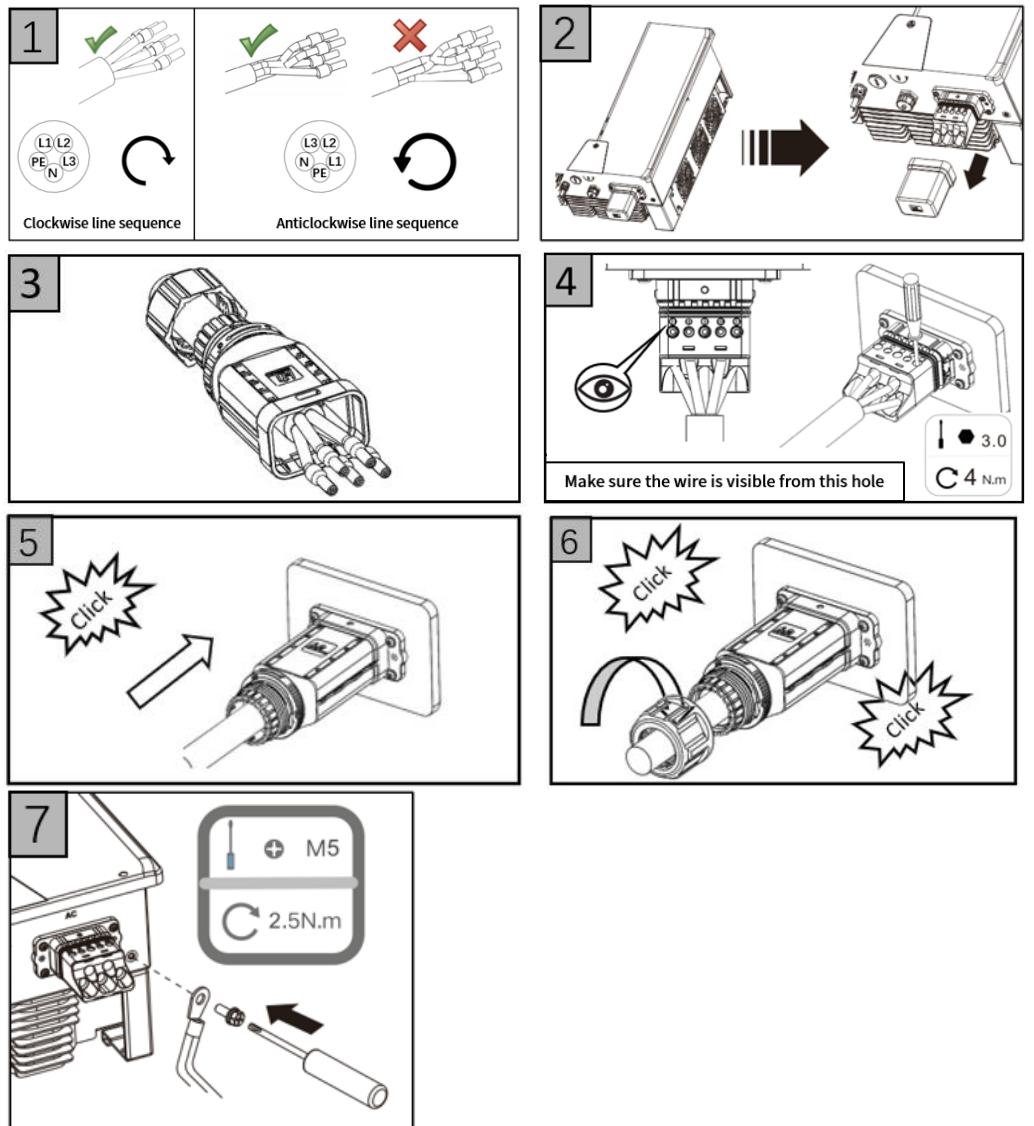


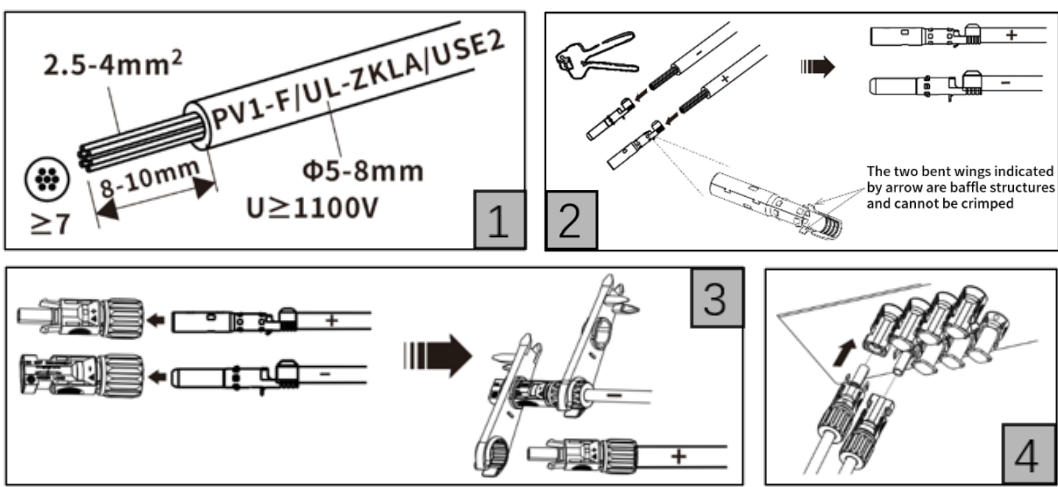
A: Applicable outer diameter of the cable for part 1: 20-24mm;  
B: Applicable outer diameter of the cable for part 2: 24.5-30mm;  
Note: Part 1 should be removed when the outer diameter of the cable is greater than 24 cm.

## 6. Dc Input Line Installation



- The photovoltaic module should be ensured well insulated from the ground.
- The maximum open circuit voltage of the photovoltaic module shall not exceed the maximum DC input voltage of the inverter according to the coldest weather conditions recorded at the site of the power station.
- The polarity of the photovoltaic module connection cable should be checked.
- The DC switch should be ensured to be turned off.
- It is prohibited to remove or insert DC connector when the inverter is loaded.

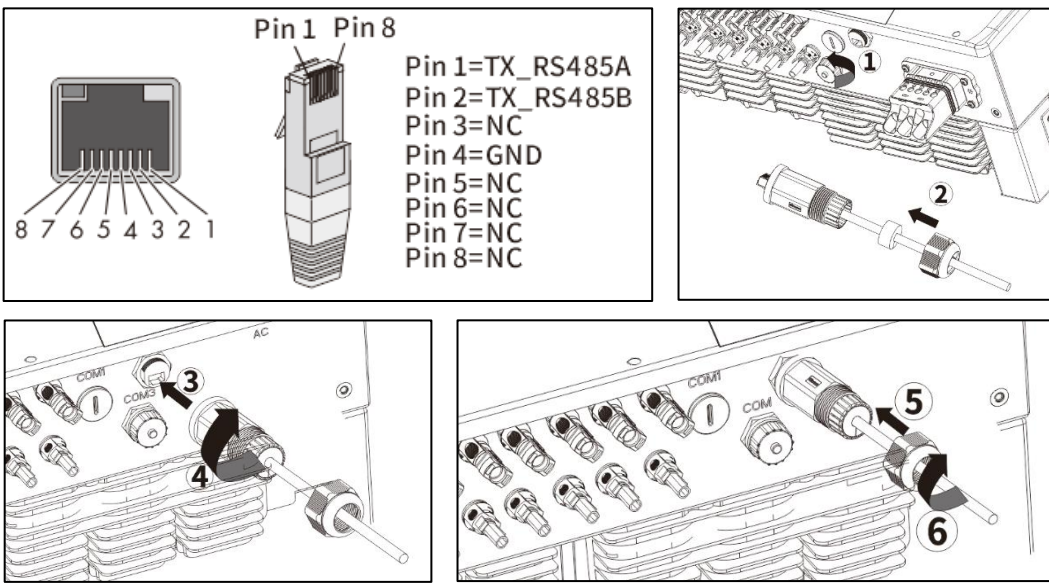




## 7. Communication Line

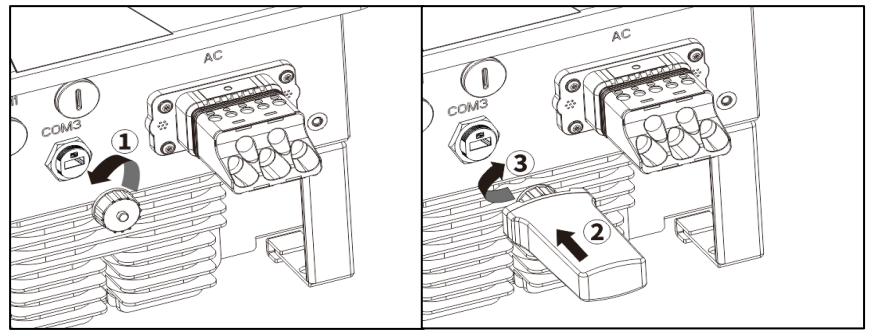
- Attention**
- Communication cables and power cables should be separated for running and large interference sources should be avoided to prevent signal from interfering.
  - CAT-5E or higher-level shielded cables should be adopted as RS485 communication cables between inverters. The pin allocation at both ends of the cable should comply with EIA/TIA568B standards. UV-resistant cables should be used when it is used outdoors.
  - The total length of RS485 communication cables should not exceed 1000m.

### 1. COM1&COM2: RS485(selective assembly)



### 2. COM3: WiFi/4G Cat1

- Attention**
- It is only applicable the Company's products, and cannot be connect to other USB devices.
  - See the data acquisition stick user manual for the connection procedures.



## 8. Startup Operation

- Attention**
- Check whether the inverter is grounded reliably.
  - Check whether the ventilation around the inverter is good.
  - Check whether the AC voltage on the power grid side is within the permitted operating range of the inverter.
  - Check whether the vacant DC connector input terminal/communication terminal on the inverter is reliably.

1. Close the AC circuit breaker between the inverter and the power grid.
2. Close the DC switch.
3. The inverter will start automatically when the dc input voltage and grid conditions meet the requirements of grid-connection.

## 9. EU Standards Conformity

The EU Standard Directive covers the following contents:

- Electromagnetic Compatibility Directive 2014/30/EU (L 96/79-106, March 29, 2014) (EMC)
- Low Voltage Directive 2014/35/EU (L 96/357-374, March 29, 2014) (LVD)
- RED directive 2014/53/EU 2014/53/EU (L 153/62-106, May 22, 2014) (RED)



AISWEI Technology Co., Ltd confirms that the inverter mentioned in the document meets the basic requirements of the above directives and other relevant regulations. Please visit [www.solplanet.net](http://www.solplanet.net) for the complete EU standard conformity statement.

## 10. Contact

Please contact our Service Department if you have any technical questions about our products.

The following information is needed to provide necessary assistance:

- Inverter model
- Inverter serial number
- Photovoltaic module model
- Photovoltaic modules number and strings number connected to each MPPT
- Fault code
- Installation location
- Warranty card

EMEA  
Service email: [service.EMEA@solplanet.net](mailto:service.EMEA@solplanet.net)

APAC  
Service email: [service.APAC@solplanet.net](mailto:service.APAC@solplanet.net)

LATAM  
Service email: [service.LATAM@solplanet.net](mailto:service.LATAM@solplanet.net)

Aiswei Greater China  
Service email: [service.china@aiswei-tech.com](mailto:service.china@aiswei-tech.com)  
Hotline: +86 400 801 9996

Taiwan  
Service email: [service.taiwan@aiswei-tech.com](mailto:service.taiwan@aiswei-tech.com)  
Hotline: +886 809089212

<https://solplanet.net/contact-us/>

Scan QR code:



Android

Scan QR code:



iOS